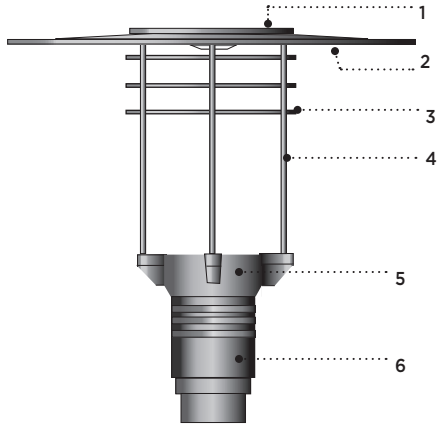


TYPE: _____ QUANTITY: _____ PROJECT: _____

CATALOG NUMBER:

FIXTURE WATTAGE VOLTAGE FINISH OPTION OPTION OPTION OPTION



- 1- Heavy cast aluminum top cover with integral LED heat dissipating pad.
- 2- 30" dia. x .090" (2.3) thick hard aluminum top shade. Underside surface is painted white enamel to optimize light performance (EC803 only).
- 3- Set of three aluminum louvers.
- 4- Set of 4 X 1/2" (13) solid aluminum struts.
- 5- Cast aluminum upper electrical housing.
- 6- Cast aluminum lower electrical housing.

EC802



EC803



MATERIALS

Eclipse is made of corrosion resistant 356 aluminum alloy with a copper (CU) content of less than 0.1%.
The lower cast aluminum housing fits with a 4" (102) or 5" (127) pole and contains all electrical controls on a removable tray.

ELECTRICAL

LED

DRIVER Standard driver is 0-10V dimming-ready (dims to 10%) with: 120-277 multi-volt compatibility (50-60Hz), optional 347V on request, minimum operating temperature of -30°C/-22°F, output over voltage protection, output over current protection, output short circuit protection with auto-recovery, and over temperature protection (110°C).

LED Type II, III or V light distribution via high performance optical lenses. Standard 4000K/80CRI. Optional 2700K, 3000K and 3500K. Removable modular LED platform.

Optional Amber LED for turtle sensitive areas.
Wavelengths: 584.5nm to 597nm.

LIFE

75,000hrs $L_{86}B_{50}$ (based on IESNA TM-21 Test Method and LM-80 data).
145,000hrs $L_{70}B_{50}$ (calculated projection from LM-80 data).

FINISH

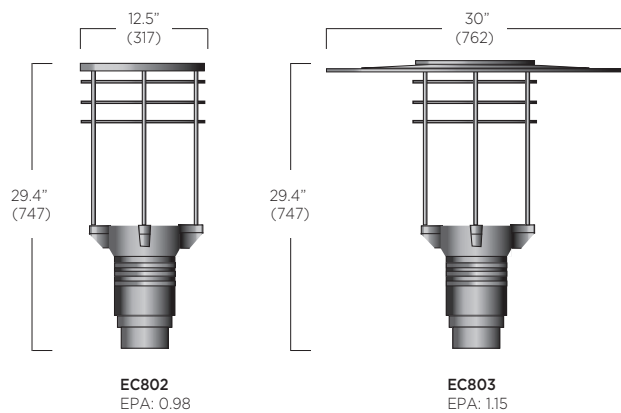
Five-stage preparation process including preheating of cast aluminum parts for air extraction, and an environmentally friendly alloy sealant. Polyester powder coating is applied through an electrostatic process and oven cured for long term finish.

MOUNTING

Maximum weight: 29lbs (13kg)
Eclipse is designed for ease of access and installation.
Standard luminaire mounts on a 4" (102) or 5" (127) pole.
Alternate pole or wall attachments are proposed with high quality components to meet multiple installation conditions.



CERTIFICATION

Tested to UL1598 and CSA 22.2 #250. ETL listed wet location.
Photometric testing performed by an independent laboratory in accordance with IESNA LM79-08 standards at 25°C. Lumen depreciation in accordance with IESNA LM80 standards. CE certification on request.
Rated IP65.



EC802/EC803 SERIES ECLIPSE MAXI - LED

LUMINAIRE SELECTION

MODEL#	LED LIGHT SELECTION (4000K/80CRI)				VOLTAGE ¹	FINISH
 <input type="checkbox"/> EC802	Type II	INPUT WATTS	DELIVERED LUMENS	MODEL	<input type="checkbox"/> 120V <input type="checkbox"/> 277V Optional <input type="checkbox"/> 347V	STANDARD COLORS <input type="checkbox"/> WHT Snow white <input type="checkbox"/> BKT Jet black <input type="checkbox"/> BZT Bronze <input type="checkbox"/> MST Matte silver <input type="checkbox"/> GRT Titanium gray <input type="checkbox"/> DGT Gun metal <input type="checkbox"/> CHT Champagne
		22W	2436	<input type="checkbox"/> EC802-L1W18r1-R2 <input type="checkbox"/> EC803-L1W18r1-R2		
 <input type="checkbox"/> EC803	Type III	38W	4147	<input type="checkbox"/> EC802-L1W30r1-R2 <input type="checkbox"/> EC803-L1W30r1-R2		
		77W	8083	<input type="checkbox"/> EC802-L2W30r1-R2 <input type="checkbox"/> EC803-L2W30r1-R2		
	Type V	22W	2409	<input type="checkbox"/> EC802-L1W18r1-R3 <input type="checkbox"/> EC803-L1W18r1-R3		
		38W	4058	<input type="checkbox"/> EC802-L1W30r1-R3 <input type="checkbox"/> EC803-L1W30r1-R3		
		76W	8331	<input type="checkbox"/> EC802-L2W30r1-R3 <input type="checkbox"/> EC803-L2W30r1-R3		
		22W	2224	<input type="checkbox"/> EC802-L1W18r1-R5 <input type="checkbox"/> EC803-L1W18r1-R5		OPTIONAL COLORS <input type="checkbox"/> CS Custom color <input type="checkbox"/> RAL RAL# color (Refer to color chart)
		38W	3742	<input type="checkbox"/> EC802-L1W30r1-R5 <input type="checkbox"/> EC803-L1W30r1-R5		
		76W	7675	<input type="checkbox"/> EC802-L2W30r1-R5 <input type="checkbox"/> EC803-L2W30r1-R5		
	AMBER LED LIGHT SELECTION					
		INPUT WATTS	DELIVERED LUMENS	MODEL		
		17W	388	<input type="checkbox"/> EC802-L1W18K2A <input type="checkbox"/> EC803-L1W18K2A		

OPTIONS

ELECTRICAL

- FS** Fuse ²
- PH** Photocell ²
- 347L** 347V input power driver

LIGHT

Alternate CCT °K LED (LCF: Lumen conversion factor)

- K27** 2700K CCT 80 CRI (LCF: 0.91)
- K3** 3000K CCT 80 CRI (LCF: 0.94)
- K35** 3500K CCT 80 CRI (LCF: 0.98)

NOTE: Other CCT & higher CRI available, please consult factory.

MOUNTING

- AC8** Pole mount attachment with 45° support
- 2AC8** Double pole mount attachment with 45° support at 180°
- AW8** Wall mount attachment with 45° support
- EC8P** Pole mount attachment with stacked arms
- 2EC8P** Double pole mount attachment with stacked arms at 180°
- EC8PS** Pole mount attachment with short stacked arms (EC802 only)
- 2EC8PS** Double pole mount attachment with short stacked arms at 180° (EC802 only)
- EC8W** Wall mount attachment with stacked arms
- EC8WS** Wall mount attachment with short stacked arms (EC802 only)
- TN3** 3" Tenon pole adaptor³
- PR8** Pedestal mount adaptor

ACCESSORIES

- BLC** Back light control⁴

NOTES

- 1- Luminaires are factory prewired for 120V (if no voltage is specified). For other voltages, please specify with catalog number or consult factory.
- 2- Fuse and photocell options are normally installed with poles when specified with Luminis luminaires (except for other types of mounting).
- 3- 3" tenon pole adaptor only required for 3" O.D. poles by others.
- 4- BLC: Back Light Control - Type II Distribution.

LUMINIS

LUMINIS | Toll free: 866.586.4647 Fax: 514.683.8872
260 Labrosse, Pointe-Claire (QC) Canada H9R 5L5

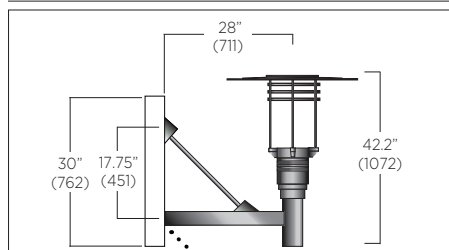
LUMINIS.COM

Luminaires may be altered for design improvement or discontinued without prior notice.

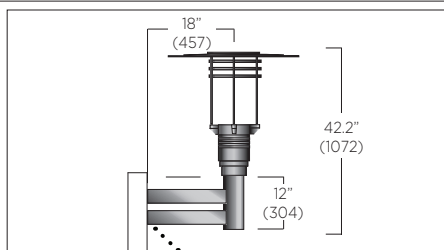
Nov 2017 Rev 0

EC802/EC803 SERIES ECLIPSE MAXI - LED

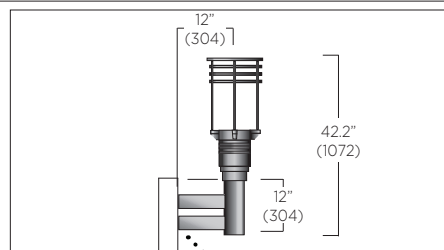
POLE MOUNT



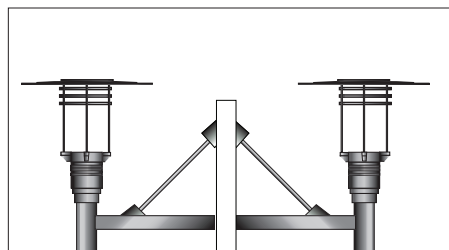
AC8
1" X 3" (25x76) extruded aluminum extended arm pole mounting adaptor designed to fit with 4 to 5" dia. poles. 1/2" dia. X 45° standard natural stainless steel rod support. (EPA: 0.7)



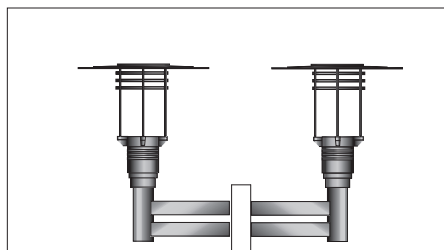
EC8P (EC802 and EC803)
Set of (2) 1" X 3" (25x76) extruded aluminum side pole straight mounting. Pole mounting adaptor fits with 4 to 5" dia. poles. (EPA: 0.97)



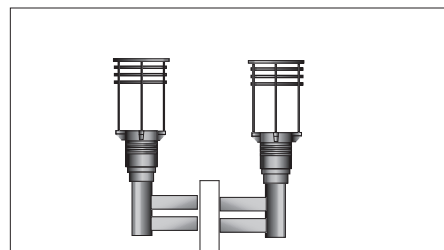
EC8PS (EC802 only)
Set of (2) 1" X 3" (25x76) extruded aluminum side pole straight mounting. Pole mounting adaptor fits with 4 to 5" dia. poles. (EPA: 0.72)



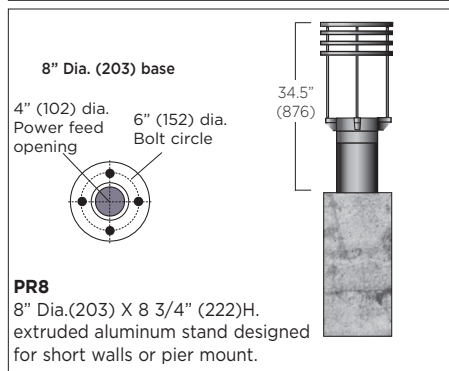
2AC8
Double pole mount attachment with 45° support at 180°



2EC8P
Double pole mount attachment with stacked arms at 180°



2EC8PS
Double pole mount attachment with short stacked arms at 180° (EC802 only)



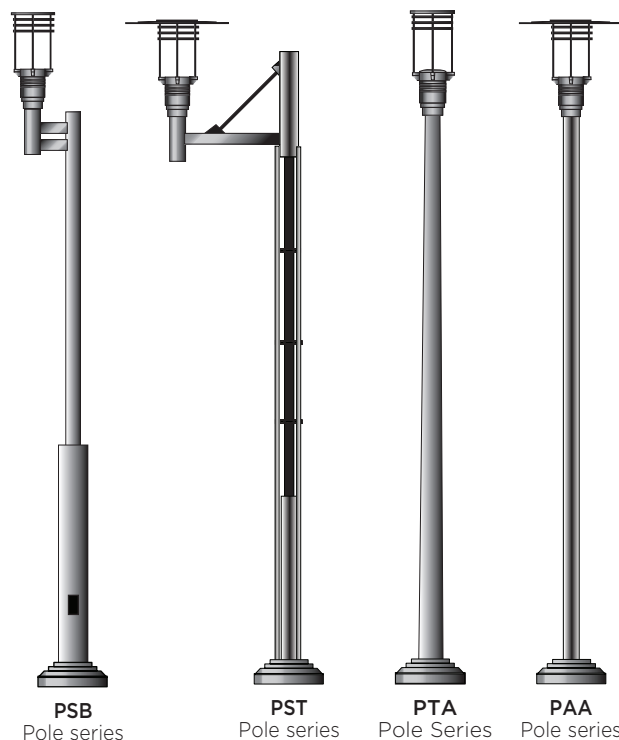
PR8
8" Dia.(203) X 8 3/4" (222)H. extruded aluminum stand designed for short walls or pier mount.

NOTE: PST pole with AC8 or 2AC8 attachment requires a 30" (762) tenon extension over pole nominal height. EC8P, 2EC8P, EC8PS and 2EC8PS require an 18" tenon extension. Factory installed.

MATCHING POLE SELECTION

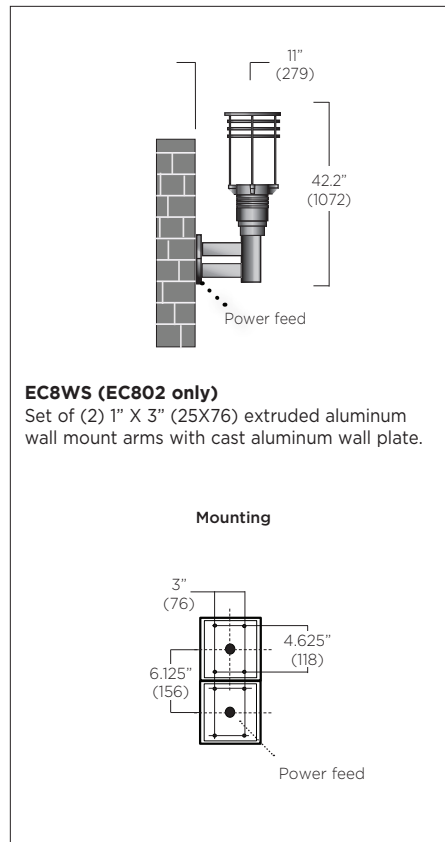
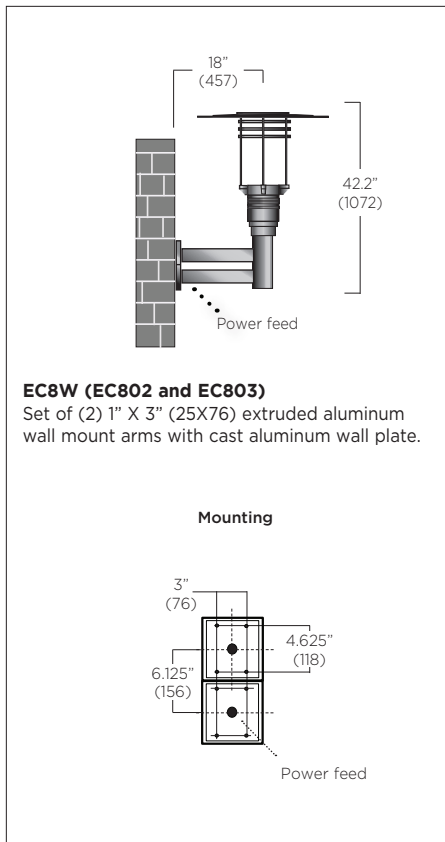
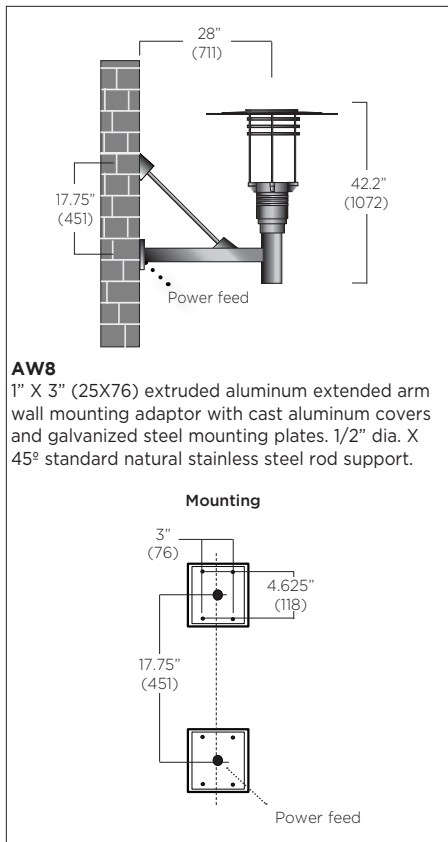
Ø 4"	Ø 5"	Ø 4"	Tapered Pole	Ø 4"	Height
PAA410	PAA510	PST10	-----	PSB10	10 Ft. (3 M)
PAA412	PAA512	PST12	-----	PSB12	12 Ft. (3,6 M)
PAA414	PAA514	PST14	-----	PSB14	14 Ft. (4,2 M)
PAA416	PAA516	PST16	PTA16	PSB16	16 Ft. (4,8 M)
PAA418	PAA518	-----	PTA18	PSB18	18 Ft. (5,5 M)
PAA420	PAA520	-----	PTA20	PSB20	20 Ft. (6,0 M)
-----	-----	-----	PTA25	-----	25 Ft. (7,6 M)

For additional pole details, please refer to separate pole specification sheet.
Ø 4" = 100mm Ø5" = 127mm



EC802/EC803 SERIES ECLIPSE MAXI - LED

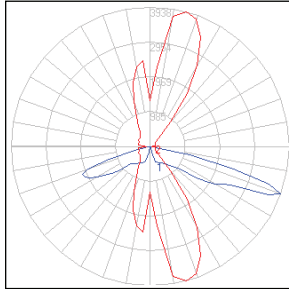
WALL MOUNT



EC802/EC803 SERIES ECLIPSE MAXI - LED

TYPICAL PHOTOMETRY SUMMARY

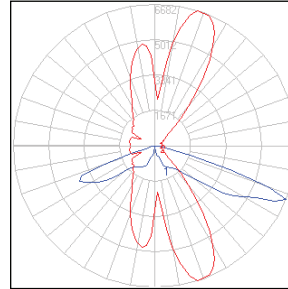
TYPE II



Descriptive Information

EC802-L1W30r1-R2
EC803-L1W30r1-R2

Total Lms: 4147 Lumens
Total Input Watts: 38.2 W
Source: LED
Efficacy: 108.6 Lumens/Watt
BUG: B2-U0-G2
CCT/CRI: 4000K/80
Maximum Candela: 3938 @ 75°H/70°V

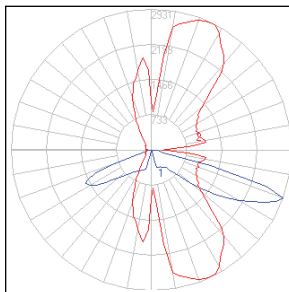


Descriptive Information

EC802-L2W30r1-R2
EC803-L2W30r1-R2

Total Lms: 8083 Lumens
Total Input Watts: 76.9 W
Source: LED
Efficacy: 105.1 Lumens/Watt
BUG: B3-U0-G3
CCT/CRI: 4000K/80
Maximum Candela: 6682 @ 72.5°H/67.5°V

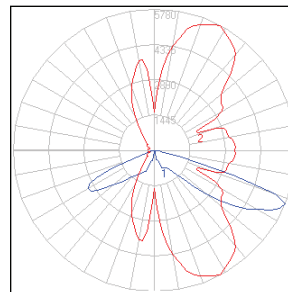
TYPE III



Descriptive Information

EC802-L1W30r1-R3
EC803-L1W30r1-R3

Total Lms: 4058 Lumens
Total Input Watts: 38.2 W
Source: LED
Efficacy: 106.3 Lumens/Watt
BUG: B2-U0-G2
CCT/CRI: 4000K/80
Maximum Candela: 2931 @ 65°H/70°V

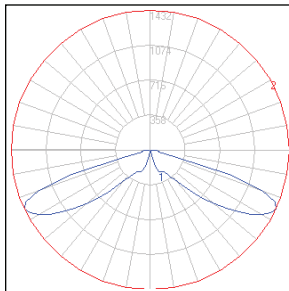


Descriptive Information

EC802-L2W30r1-R3
EC803-L2W30r1-R3

Total Lms: 8331 Lumens
Total Input Watts: 76.3 W
Source: LED
Efficacy: 109.2 Lumens/Watt
BUG: B2-U0-G2
CCT/CRI: 4000K/80
Maximum Candela: 5780 @ 62.5°H/67.5°V

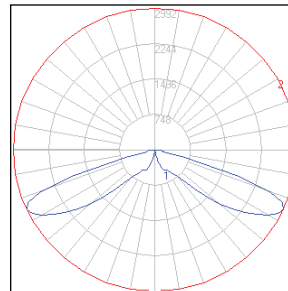
TYPE V



Descriptive Information

EC802-L1W30r1-R5
EC803-L1W30r1-R5

Total Lms: 3742 Lumens
Total Input Watts: 37.9 W
Source: LED
Efficacy: 98.8 Lumens/Watt
BUG: B2-U0-G1
CCT/CRI: 4000K/80
Maximum Candela: 1432 @ 0°H/65°V



Descriptive Information

EC802-L2W30r1-R5
EC803-L2W30r1-R5

Total Lms: 7675 Lumens
Total Input Watts: 76.1 W
Source: LED
Efficacy: 100.8 Lumens/Watt
BUG: B3-U0-G2
CCT/CRI: 4000K/80
Maximum Candela: 2992 @ 0°H/65°V

Please visit our web site www.luminis.com for complete I.E.S. formatted download data.

